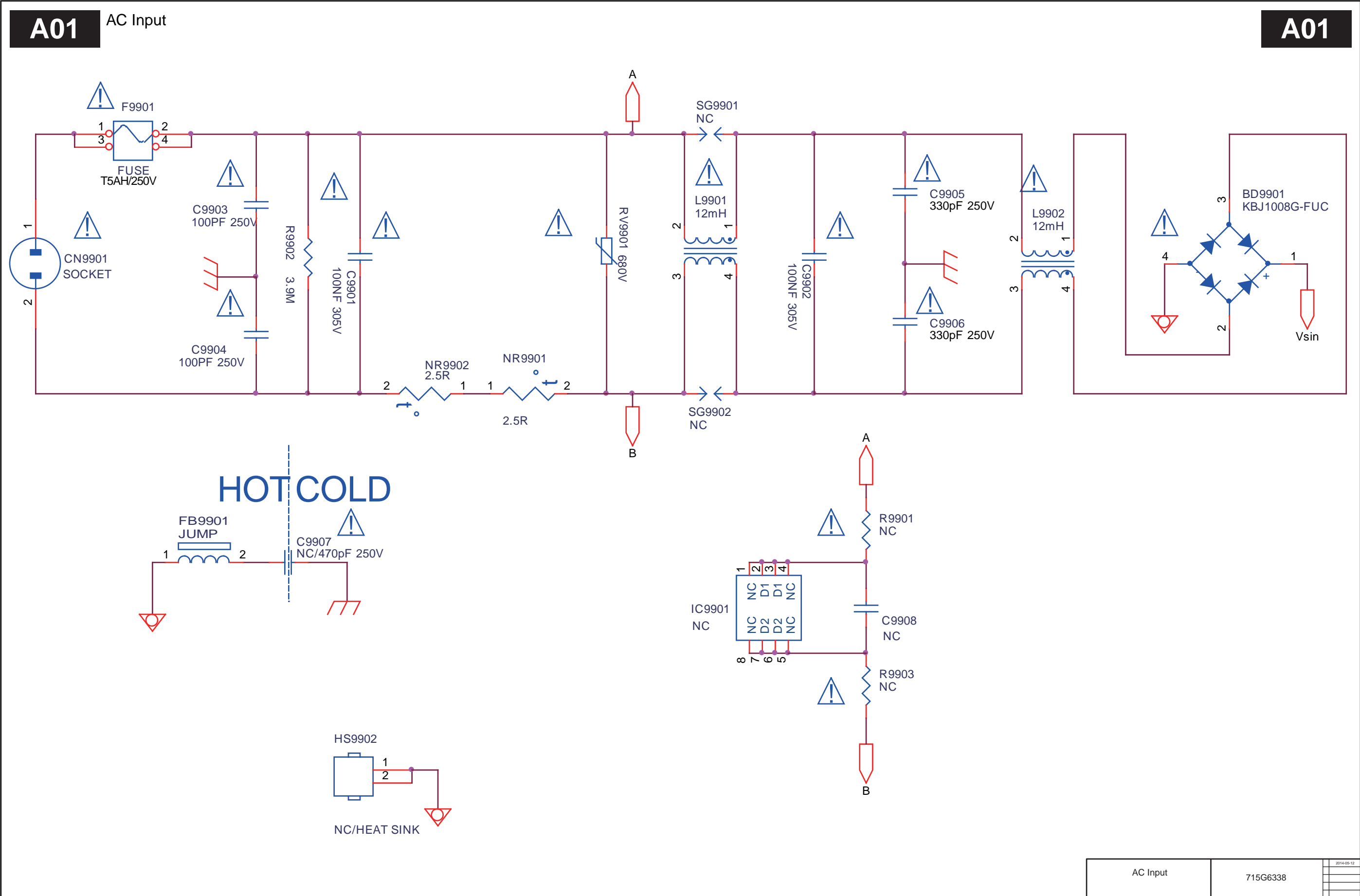


10.4 A 715G6338 PSU
10-4-1 AC Input

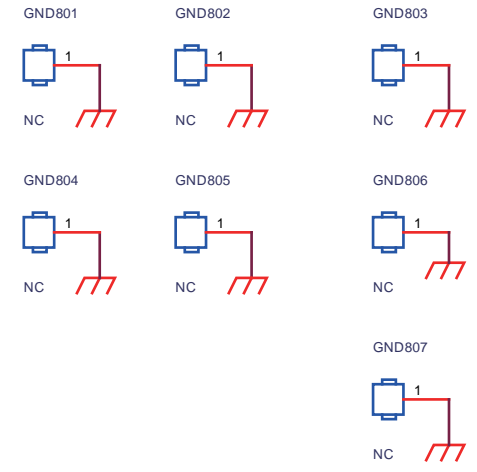
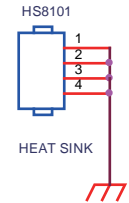
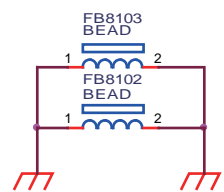
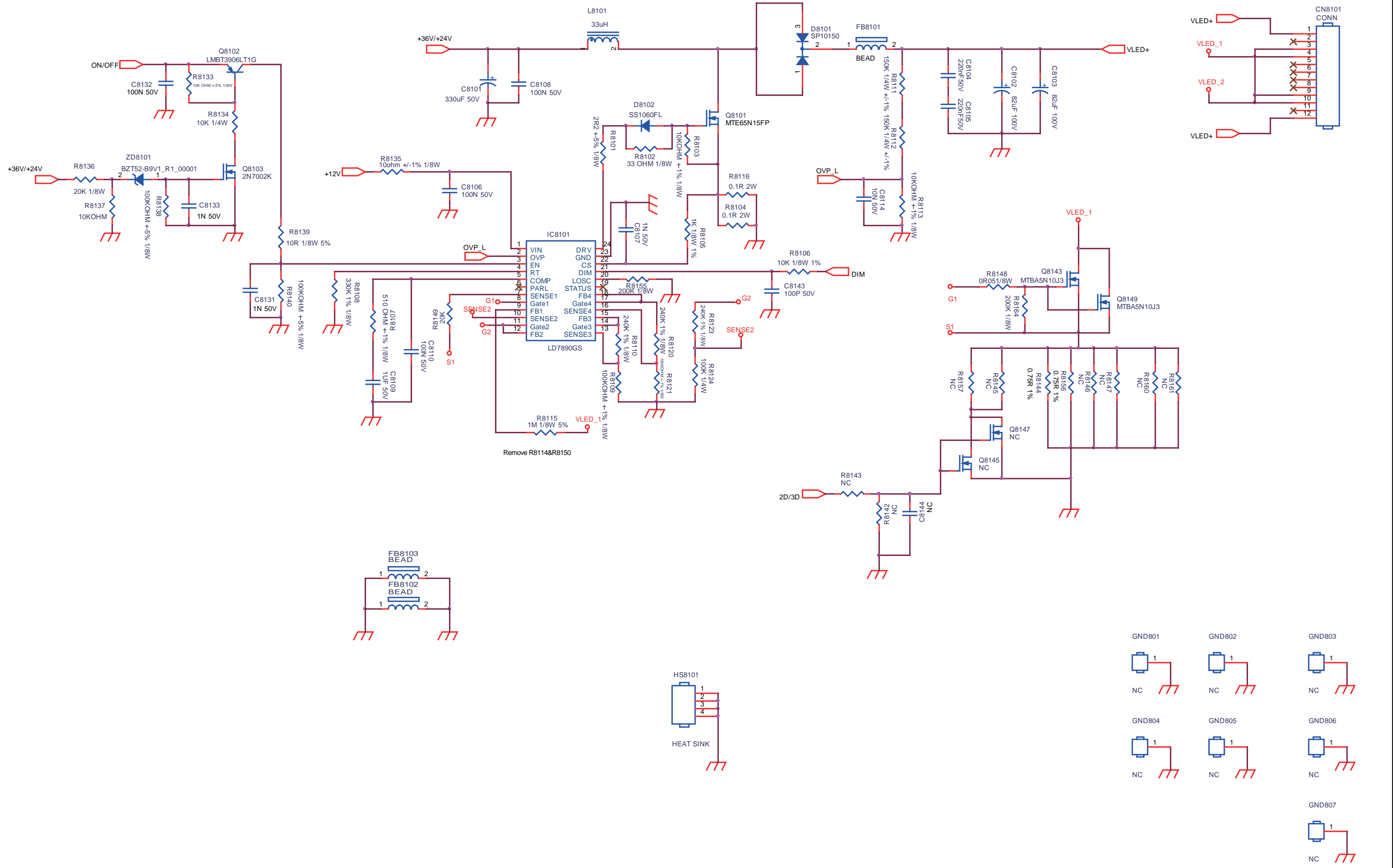


AC Input	715G6338	2014-05-12

A02

LED Driver

A02



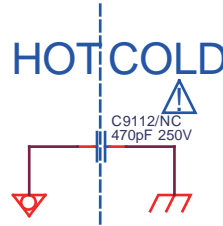
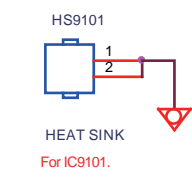
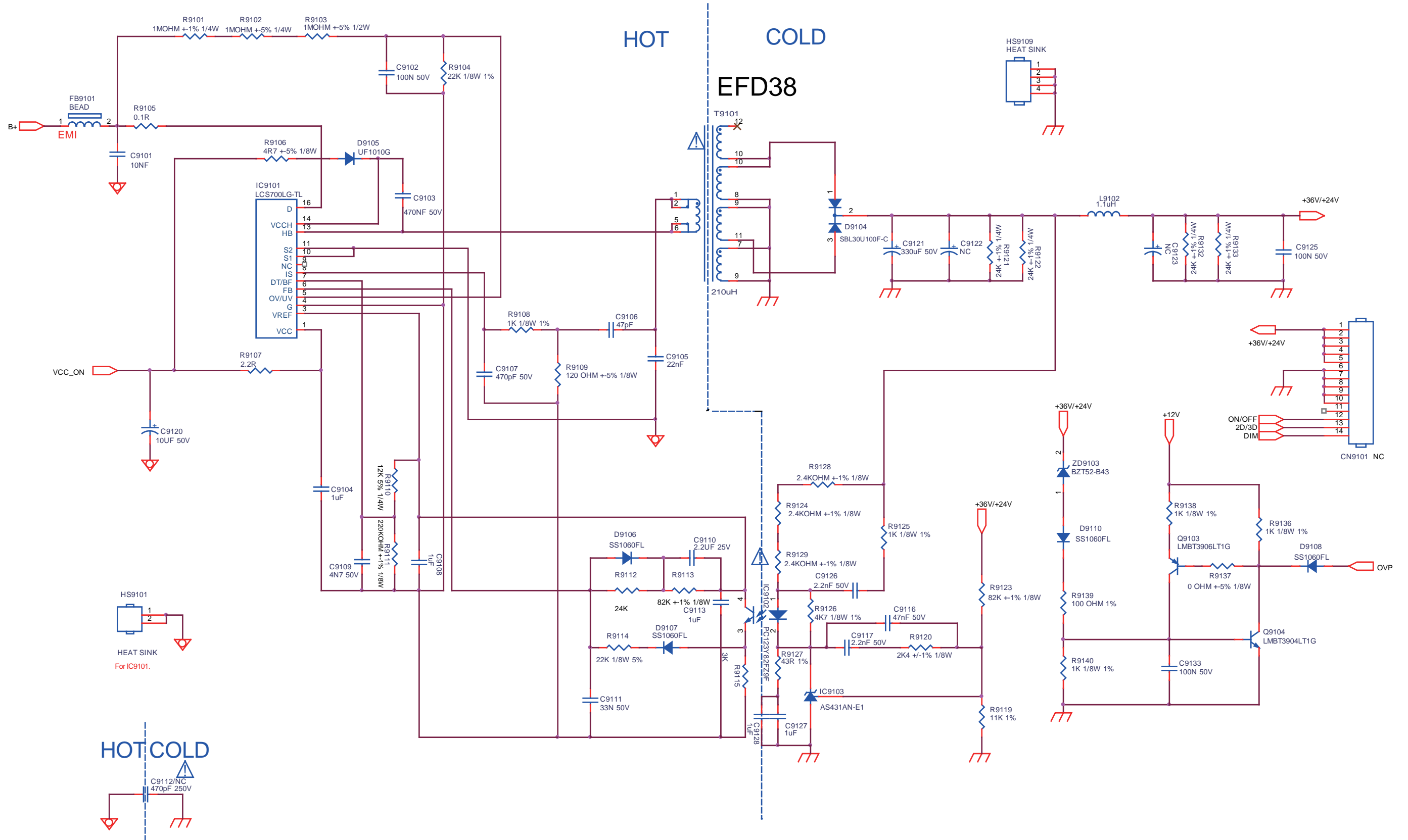
LED Driver	715G6338	2014-09-12

10-4-3 LLC 36V

A03

LLC 36V

A03



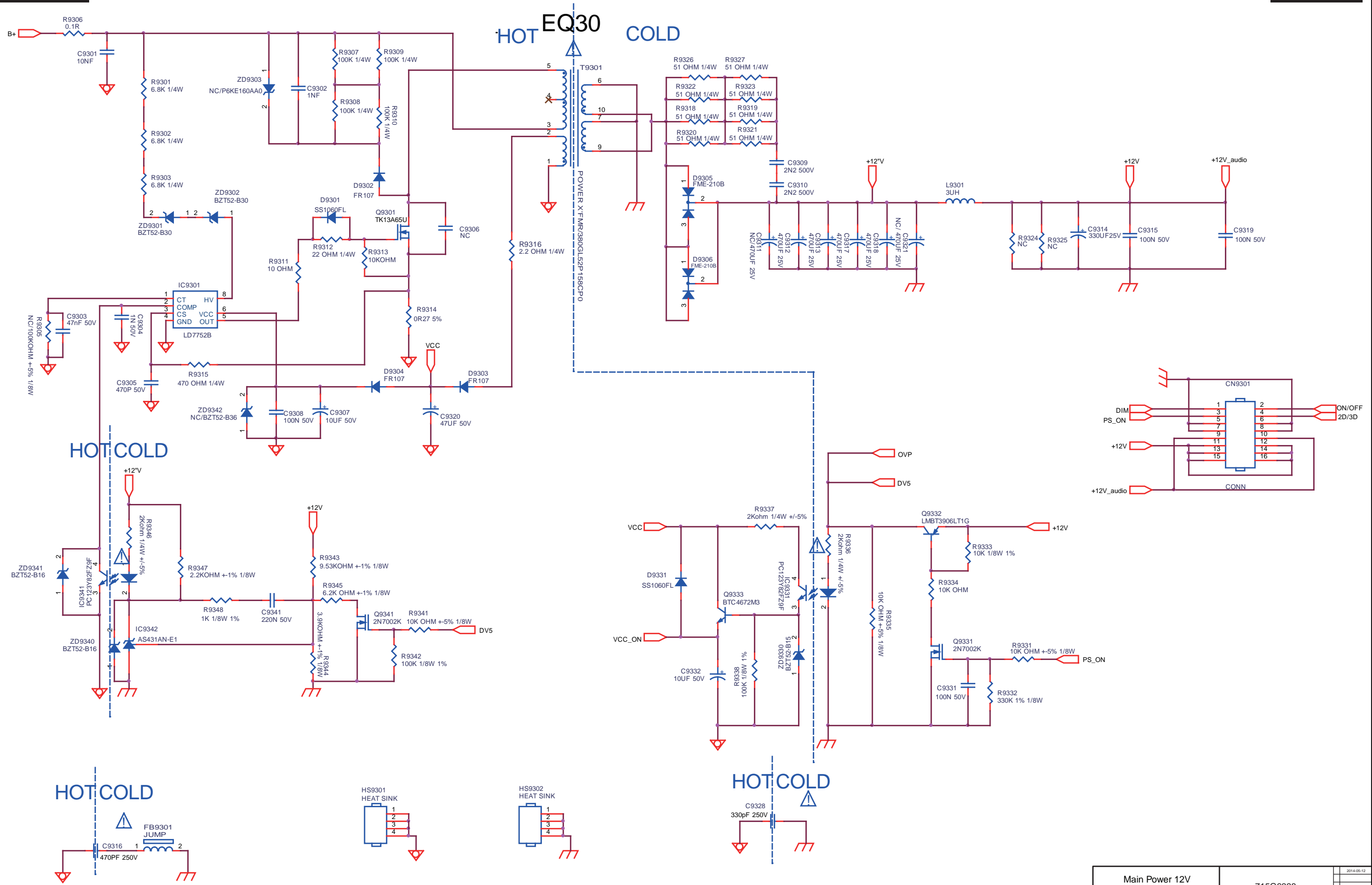
LLC 36V	715G6338	2014-09-12

10-4-4 Main Power 12V

A04

Main Power 12V

A04

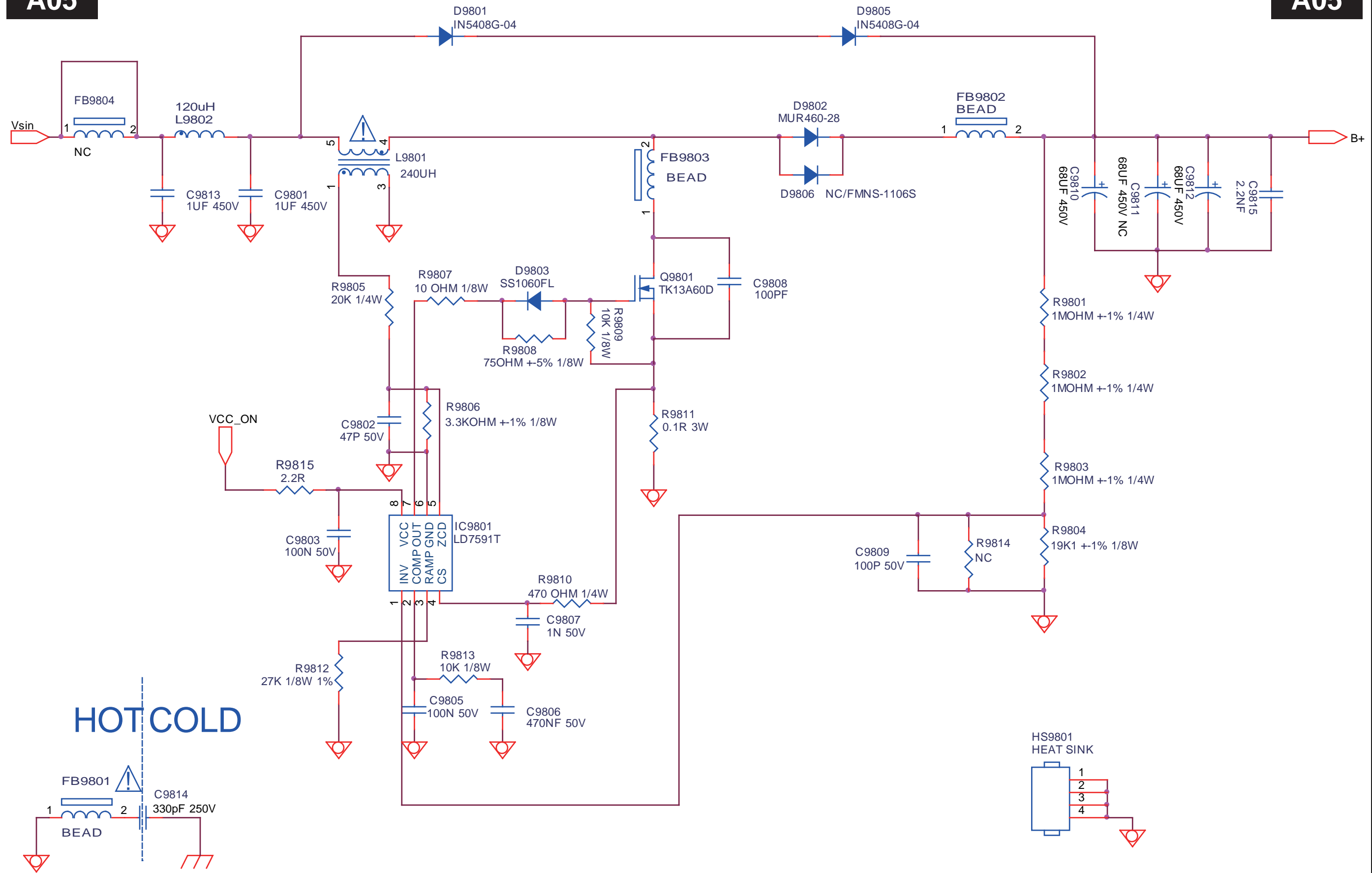


Main Power 12V	715G6338	2014-09-12

10-4-5 PFC

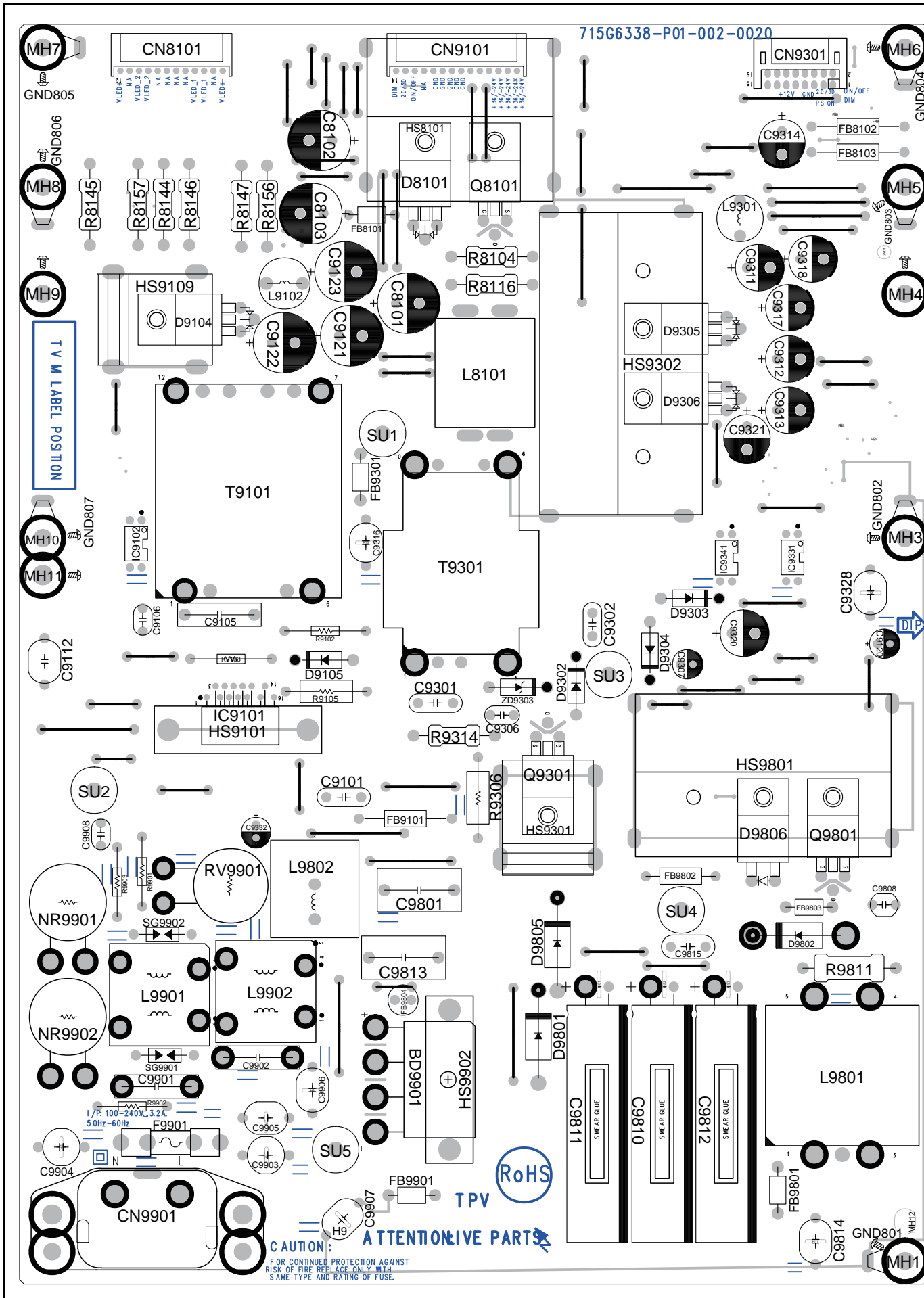
A05 PFC

A05



PFC	715G6338	2014-09-12

10-4-6 Power layout top



10-4-7 Power layout bottom

